

RANSOME

MANUFACTURING

Engineering and Equipment Manufacturing

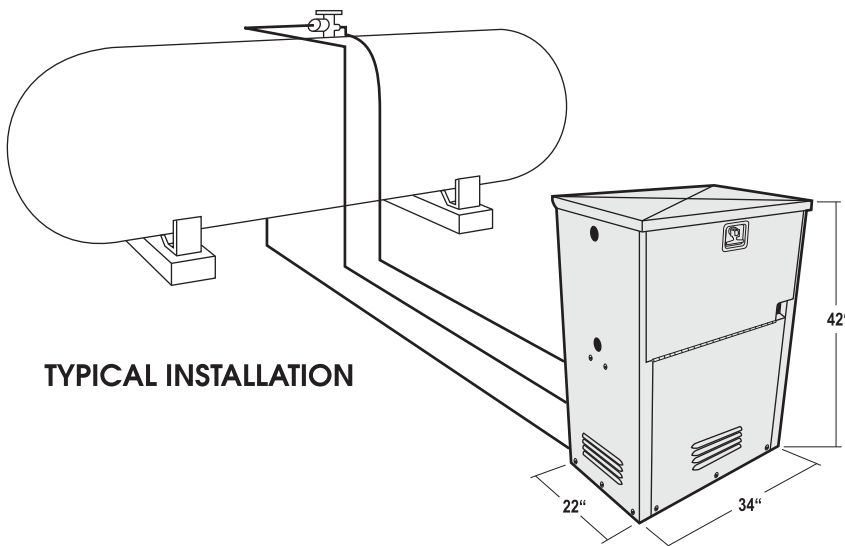
D760B-A Series LP-Gas Dispenser Cabinet

The Ransome D760B-A "Aluminum Diamond Plate" LP-Gas Dispenser Cabinet is a complete, heavy gauge Dispenser designed for easy installation, use and service access.

When ordering the D760B-A as a "COMPLETE", ready to attach dispenser, the cabinet contains all quality components. Standard are a Neptune 1" type 4D style N compact LP-Gas meter. A Blackmer pump with a 1HP Baldor motor is available along with a 3/4" - 15' long, high pressure hose assembly complete with Acme shut-off valve and connector.

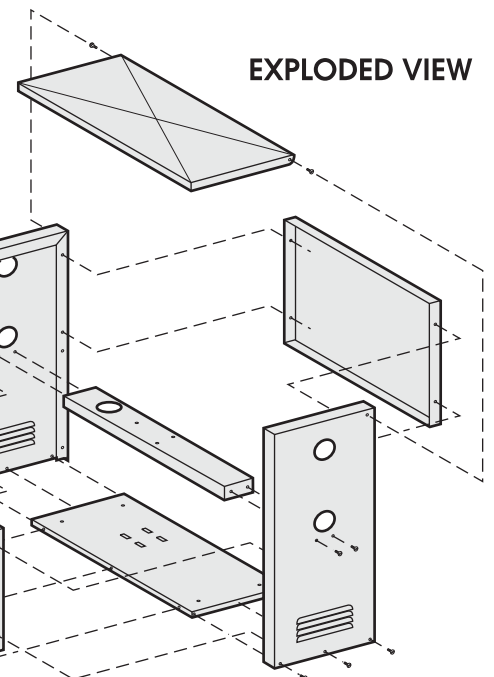
A D762B-A is basically the same, with the exception of a 1 1/2 HP pump.

The Ransome D760C-A "KNOCK DOWN" LP-Gas Dispenser Cabinet only, is shipped unassembled. It comes complete with all material, nuts and bolts, for a quick and easy assembly.



TYPICAL INSTALLATION

- OPTIONS:
- Hose Retractor
 - Hose of Varying Length
 - Bottle Fill Scales
 - Custom Features on request
 - TRK (Tank Riser Kit)
 - DRK (Dispenser Rail Kit)



RANSOME
MANUFACTURING

2365 E. Muscat Avenue • Fresno, California 93725
Telephone (559) 485-0979 • (800) 342-8265 • Fax (559) 485-8869

www.ransomemfg.com