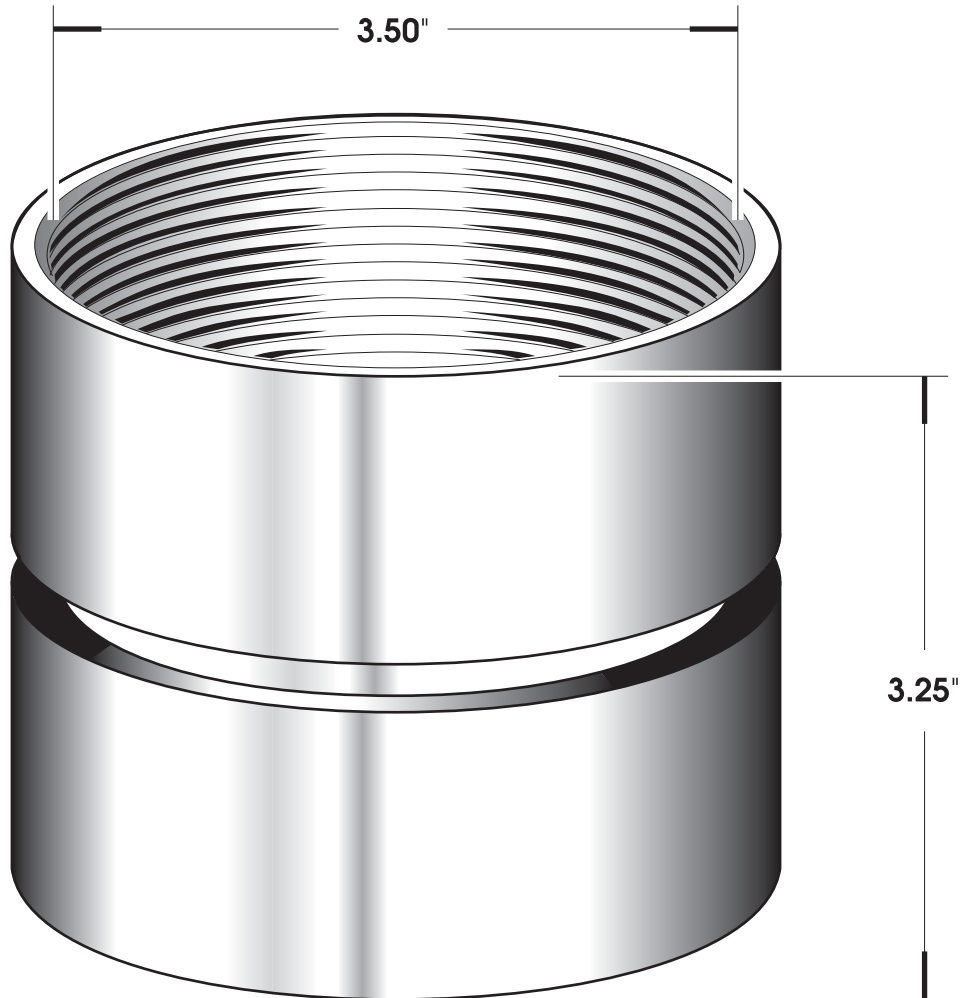
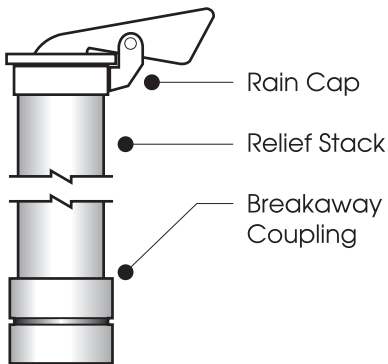


P104A Relief Valve Breakaway Coupling



ACTUAL SIZE



Electro-Plated, rust-proof, steel breakaway coupling designed for internal relief valves. EMT also available.